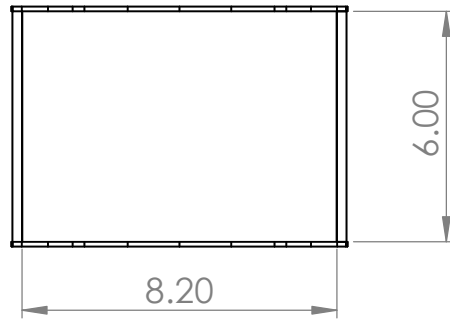
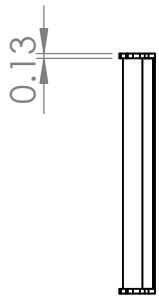
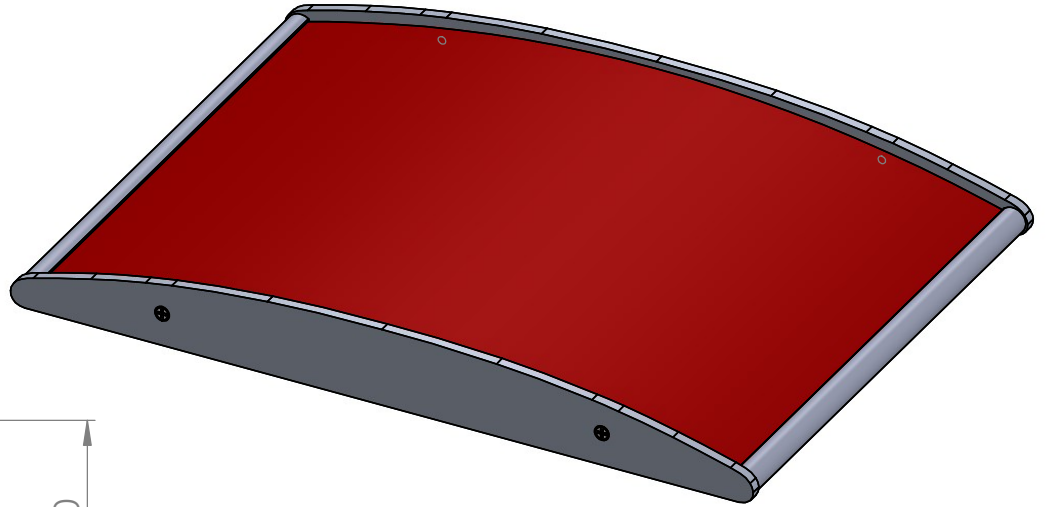
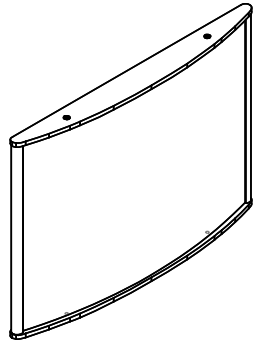


B



B

A

A

PROPRIETARY AND CONFIDENTIAL

THE INFORMATION CONTAINED IN THIS DRAWING IS THE SOLE PROPERTY OF <INSERT COMPANY NAME HERE>. ANY REPRODUCTION IN PART OR AS A WHOLE WITHOUT THE WRITTEN PERMISSION OF <INSERT COMPANY NAME HERE> IS PROHIBITED.

EXTENSIA INTERNATIONAL SYSTEMS INC.

TITLE:

DWG. NO.

pcLetter General

SCALE: 1:5

WEIGHT:

SHEET 1 OF 1

2

1