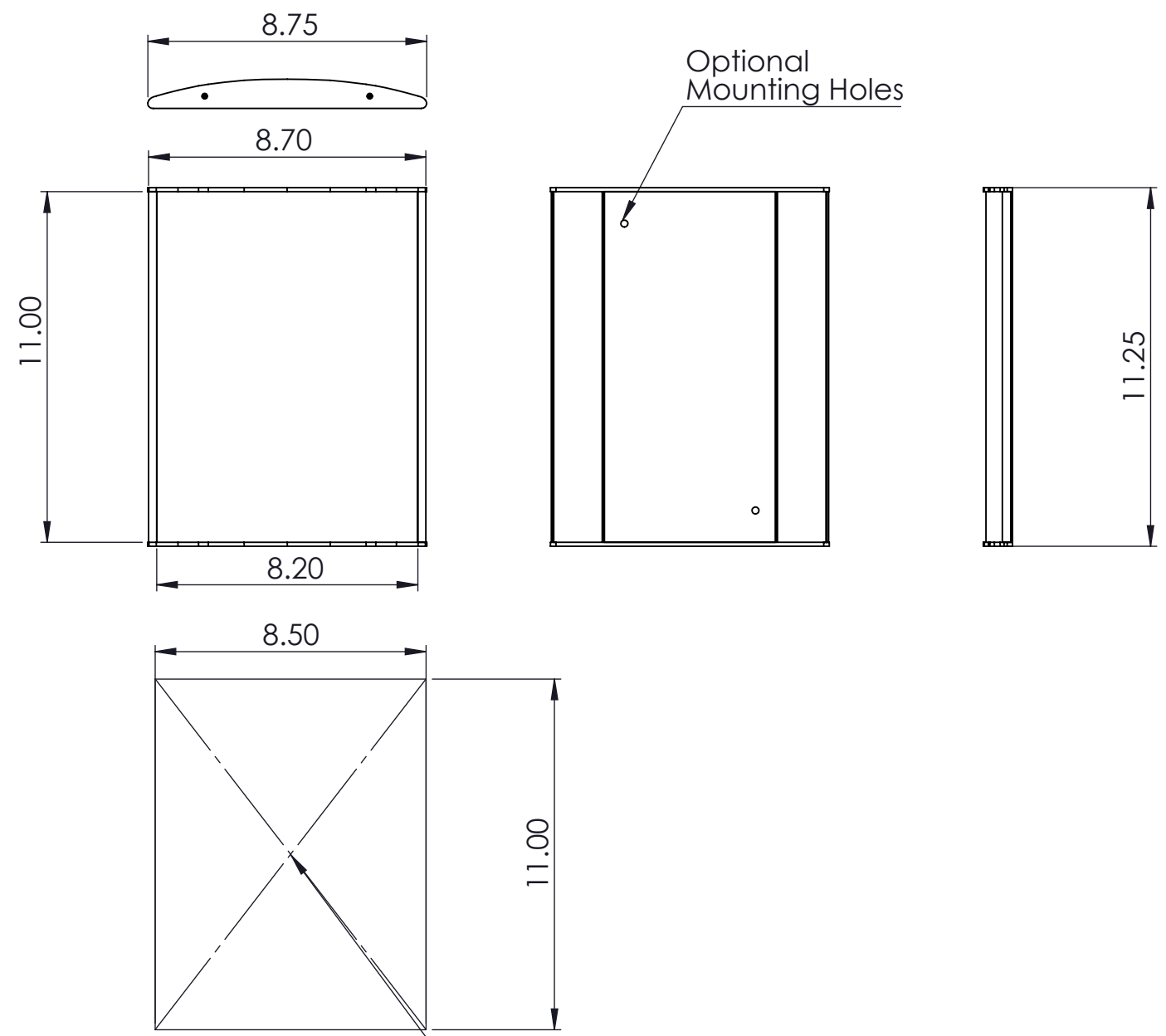
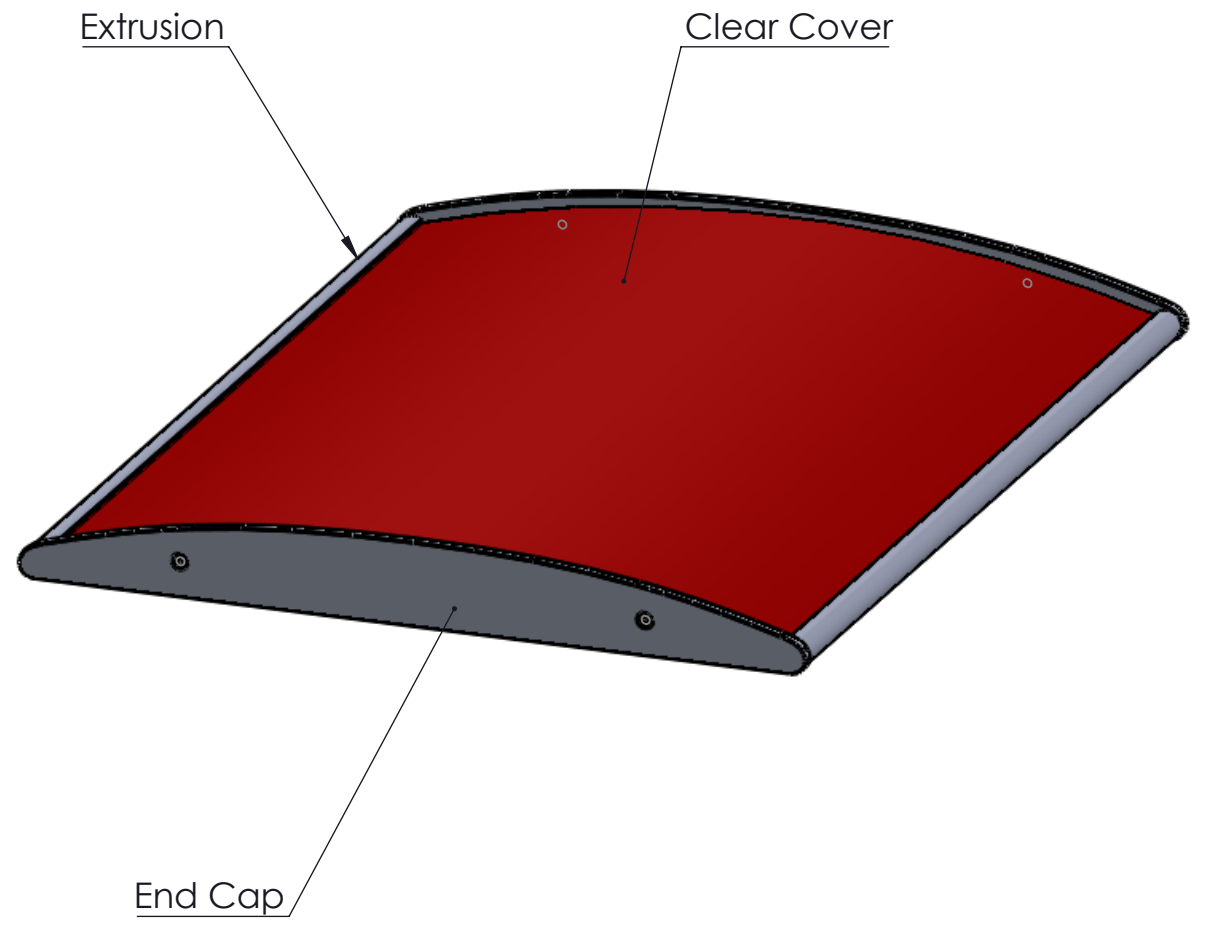


4 3 2 1

B



Optional Mounting Holes



B

A

A

Insert Size 8.5" x Length

4 3 2 1

DWG. NO.		pcLetter Sign Frame		
TITLE:		RoomID		
DO NOT SCALE DRAWING				
THE INFORMATION CONTAINED IN THIS DRAWING IS THE SOLE PROPERTY OF <INSERT COMPANY NAME HERE>. ANY REPRODUCTION IN PART OR AS A WHOLE WITHOUT THE WRITTEN PERMISSION OF <INSERT COMPANY NAME HERE> IS PROHIBITED.				
SIZE	DATE	REV		
<b>B</b>				
SCALE: 1:5		WEIGHT:		SHEET 1 OF 1